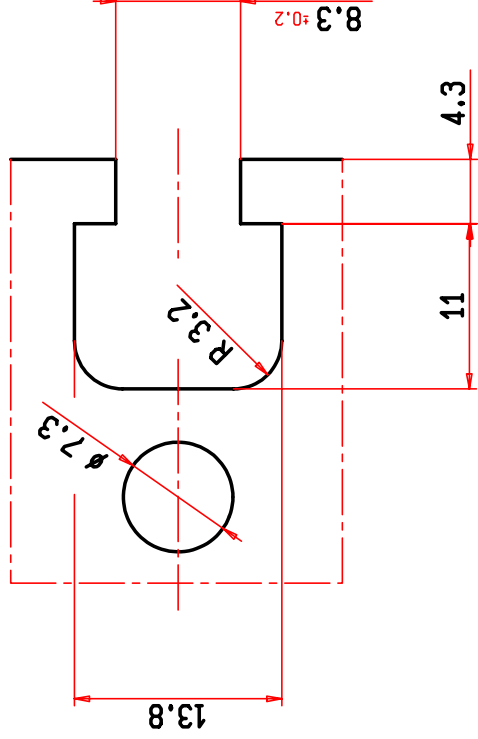


Jx = 001.83 cm4  
 Jy = 005.660 cm4  
 Sx = 001.970 cm3  
 Sy = 002.510 cm3



MODIFICHE

**EURAL**  
 GNUTTI S.P.A.

COMPANY  
 WITH QUALITY SYSTEM  
 CERTIFIED BY DNV  
 =ISO 9002=

**EURAL GNUTTI S.P.A.**  
 Via S. Andrea, 3  
 25038 ROVATO (BS)  
 ITALY  
 TELEPHONE  
 +39.030.7725011  
 FAX  
 +39.030.7701228  
<http://www.eural.com>  
 e-mail: [dies@ural.it](mailto:dies@ural.it)

ACCOPPIAMENTI

Spigoli con ● = R.1.0  
 Spigoli non quotati = R.0.3  
 Du/Smin= 20

sez. mm 427  
 g./ml. 1153  
 ø c. cir. 47  
 tipo C-B

TOLLERANZE GENERALI  
**DIN 17615**

Data 23/11/98 scala 2/1:1  
 Dis. M.R. Contr. *g/c*

N° matricola  
**981135**  
 Lega  
**6060**