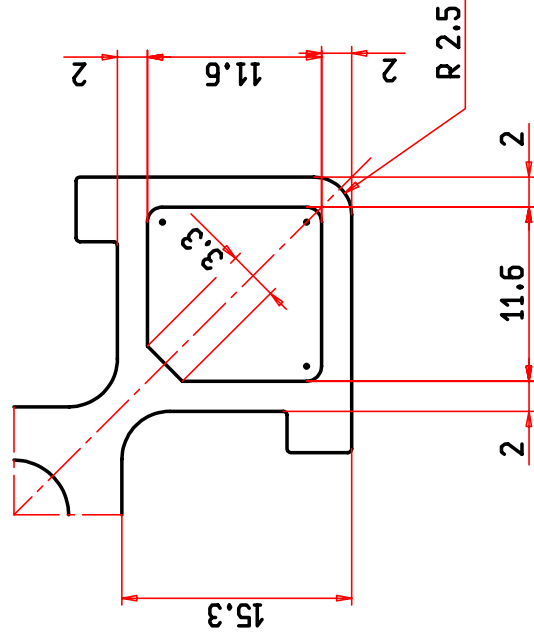


Jx = 006.260 cm4
 Jy = 009.630 cm4
 Sx = 003.550 cm3
 Sy = 004.280 cm3



MODIFICHE

EURAL
 GNUTTI S.P.A.

COMPANY
 WITH QUALITY SYSTEM
 CERTIFIED BY DNV
 =ISO 9002=

EURAL GNUTTI S.P.A.
 Via S. Andrea, 3
 25038 ROVATO (BS)
 ITALY
 TELEPHONE
 +39.030.7725011
 FAX
 +39.030.7701228
 http://www.eural.com
 e-mail:dies@ural.it

ACCOPPIAMENTI

Spigoli con ● = R.1.0
 Spigoli non quotati = R0.25
 Du/Smin= 26.5

sez. mm 591
 g./ml. 1597
 Ø c. cir. 53
 tipo C-B

Data 14/12/98 scala 2/1:1
 Dis. M.R. Contr. *g/t*
 N° matricola
981212
 Lega
6060

TOLLERANZE GENERALI
DIN 17615