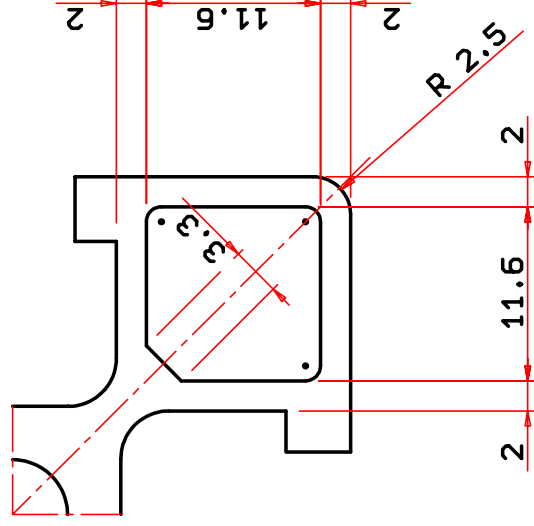


Jx = 013.240 cm4
 Jy = 013.240 cm4
 Sx = 005.880 cm3
 Sy = 005.880 cm3



MODIFICHE

ACCOPIAMENTI

EURAL
 COMPANY
 WITH QUALITY SYSTEM
 CERTIFIED BY DNV
 =ISO 9002=

EURAL GNUTTI S.P.A.
 Via S. Andrea, 3
 25038 ROVATO (BS)
 ITALY
 TELEPHONE
 +39.030.7725011
 FAX
 +39.030.7701228
<http://www.eural.com>
 e-mail: dies@eural.it

Spigoli con ● = R.1.0
 Spigoli non quotati = R.0.3
 Du/Smin= 30

sez. mm 736
 g./ml. 1989
 ø c. cir. 61
 tipo C-B

Data 23/11/98 scala 2/1:1
 Dis. M.R. Contr. *g/t*
 N° matricola
981137
 Lega
 6060

TOLLERANZE GENERALI
DIN 17615